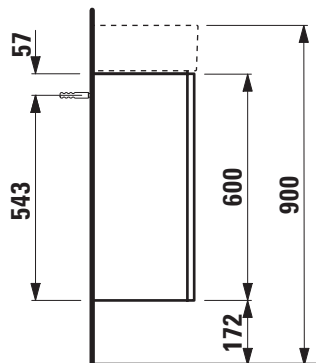
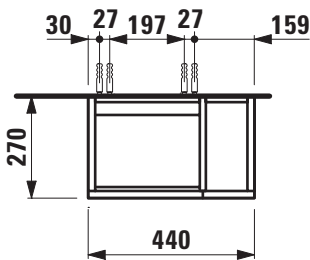




**TECHNICAL DATA**

Order no.	40751.7 / door hinge left	Mounting acc. incl.	Installation set for furniture, order no. 49301.5, 49610.3
Dimensions (WxHxD)	440 x 600 x 270 mm	Mounting information	The walls installed on must meet the requirements of the furniture in terms of weight and the supplied fastening elements. If this cannot be guaranteed another method of installation needs to be chosen. For example with feet.
Matching for	washbasin tap bank left, order no. 81533.5	Colours Body/Front	640 – White matt 641 – Pebble grey matt 642 – Slate grey matt
Specification	Body/Front – MDF board with lack laminate with ABS edges, inside melamine white 1 push and pull door 1 glass shelf (adjustable) 1 shelf right, side open		
Weight	13,0 kg		
Accessories excl.	Feet (2 pieces), chromed, order no. 40762.0 Space saving siphon, order no. 89424.0		

**TECHNICAL DRAWINGS / S 1 : 20**





**TECHNICAL DATA**

Order no.	40751.8 / door hinge right	Mounting acc. incl.	Installation set for furniture, order no. 49301.5, 49610.3
Dimensions (WxHxD)	440 x 600 x 270 mm	Mounting information	The walls installed on must meet the requirements of the furniture in terms of weight and the supplied fastening elements. If this cannot be guaranteed another method of installation needs to be chosen. For example with feet.
Matching for	washbasin tap bank right, order no. 81533.4	Colours Body/Front	640 – White matt 641 – Pebble grey matt 642 – Slate grey matt
Specification	Body/Front – MDF board with lack laminate with ABS edges, inside melamine white 1 push and pull door 1 glass shelf (adjustable) 1 shelf left, side open		
Weight	13,0 kg		
Accessories excl.	Feet (2 pieces), chromed, order no. 40762.0 Space saving siphon, order no. 89424.0		

**TECHNICAL DRAWINGS / S 1 : 20**

